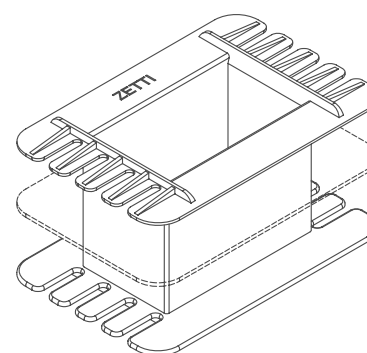
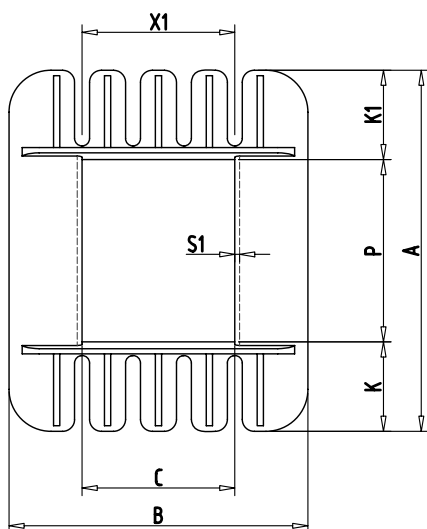
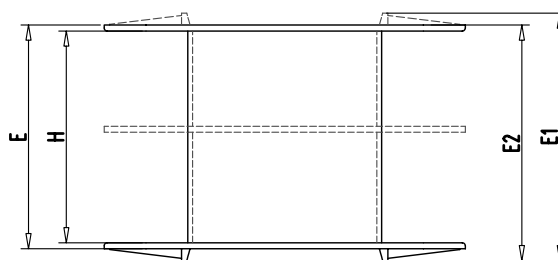
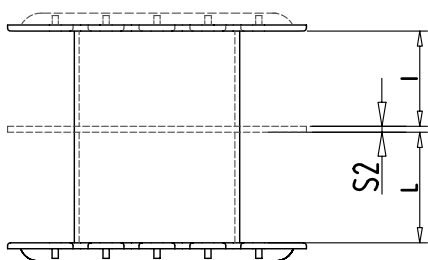
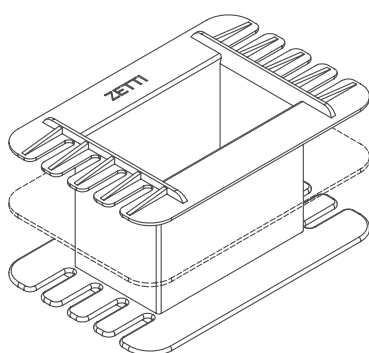


Lam. 125x150

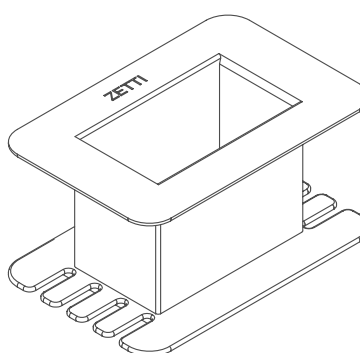


Codice /--01

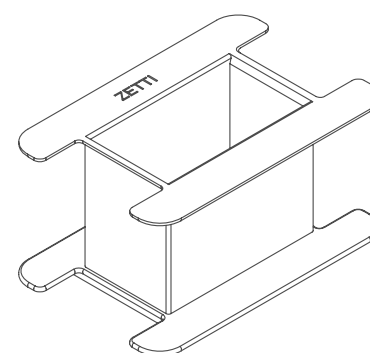
A	B	E1	E2	S1	H	S2	I	L	K	K1	X1	C	P	E	CODICE
110.2	99.8	82.0	78.4	2.0	70.7				29.8	29.8	3x16.5	51.0	50.6	74.7	R5050KEI 1--01 /--02 /--03
110.2	99.8	82.0	78.4	2.0	70.7	2.0	36.9	31.8	29.8	29.8	3x16.5	51.0	50.6	74.7	R5050KEI 2--01
120.2	99.8	82.0	78.4	2.0	70.7				29.8	29.8	3x16.5	51.0	60.6	74.7	R5060KEI 1--01 /--02 /--03
120.2	99.8	82.0	78.4	2.0	70.7	2.0	36.9	31.8	29.8	29.8	3x16.5	51.0	60.6	74.7	R5060KEI 2--01
130.2	99.8	82.0	78.4	2.0	70.7				29.8	29.8	3x16.5	51.0	70.6	74.7	R5070KEI 1--01 /--02 /--03
130.2	99.8	82.0	78.4	2.0	70.7	2.0	36.9	31.8	29.8	29.8	3x16.5	51.0	70.6	74.7	R5070KEI 2--01
140.2	99.8	82.0	78.4	2.0	70.7				29.8	29.8	3x16.5	51.0	80.6	74.7	R5080KEI 1--01 /--02 /--03
140.2	99.8	82.0	78.4	2.0	70.7	2.0	36.9	31.8	29.8	29.8	3x16.5	51.0	80.6	74.7	R5080KEI 2--01
150.4	99.8	82.0	78.4	2.0	70.7				29.8	29.8	3x16.5	51.0	90.8	74.7	R5090KEI 1--01 /--02 /--03
150.4	99.8	82.0	78.4	2.0	70.7	2.0	36.9	31.8	29.8	29.8	3x16.5	51.0	90.8	74.7	R5090KEI 2--01
160.4	99.8	82.0	78.4	2.0	70.7				29.8	29.8	3x16.5	51.0	100.8	74.7	R50100KEI 1--01
180.6	99.8	82.0	78.4	2.0	70.7				29.8	29.8	3x16.5	51.0	121.0	74.7	R50120KEI 1--01



Codice /--01



Codice /--02



Codice /--03